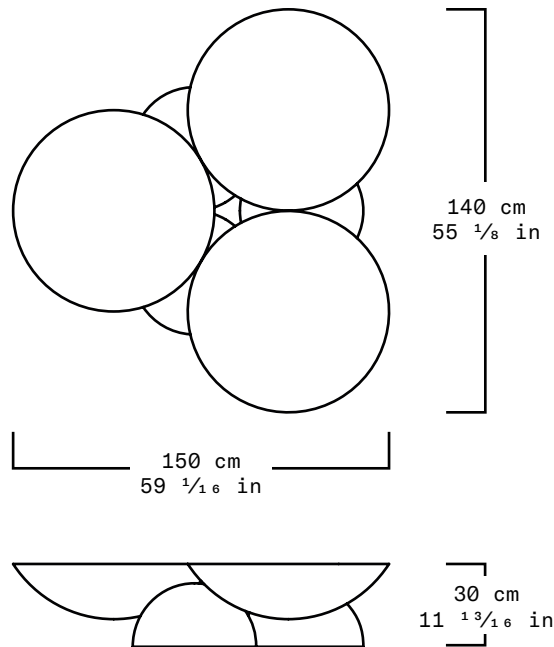


COPAL COFFEE TABLE

EWE Studio collaborated with Nouvel Studio to produce the Magma light series. The process began with designing molds varying in size and scale, hand carved in volcanic stone where the glass is blown. The artisanal glass blowing process, gives the unique characteristics to each one of the Magma 'bubbles'.

The structure that holds the lamp is made out of cold bluing steel. The interior is a hand hammered brass surface contained within the glass bubbles'.



Collection	Sincretismo
Product	Copal Coffee Table
Measurements	L150 x W140 x H30 L59 1/16 x W140 55 1/8 x H11 13/16 in
Weight (Kg)	400
Materials	Bronze
Finishes	Polished
Edition	Limited Edition of 5 + 2 AP
Lead Time	16 - 18 weeks