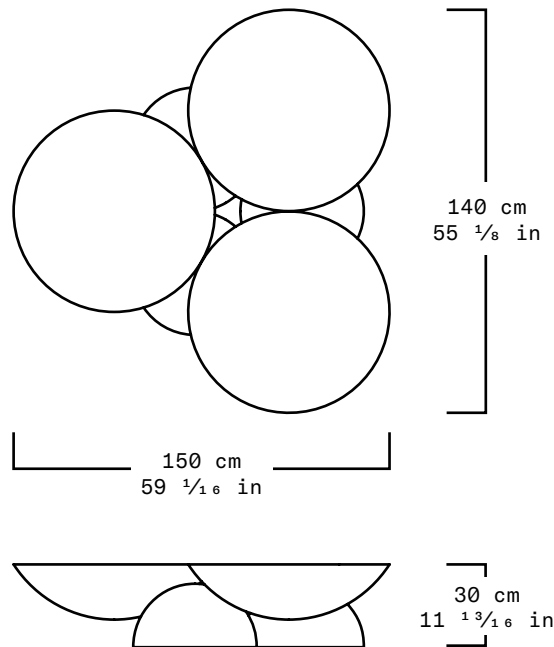


**COPAL COFFEE TABLE**

The coffee table of EWE Studio is made out six half spheres, three smaller half and three large half spheres, that are assembled together. The table is carved out of Tikal green marble by our stonemasons.

The technical complexity of the work is related to its stability, as the upper big spheres are seemingly hovering in the air, resulting in a magnificent visual tension that defies gravity on its cantilever.



Collection	Sincretismo
Product	Copal Coffee Table
Measurements	L150 x W140 x H30 cm L59 1/16 x W140 55 1/8 x H11 3/16 in
Weight (Kg)	800
Materials	Orizaba Black Marble
Finishes	Matte
Edition	Limited Edition of 10 + 2 AP
Lead Time	16 - 18 weeks