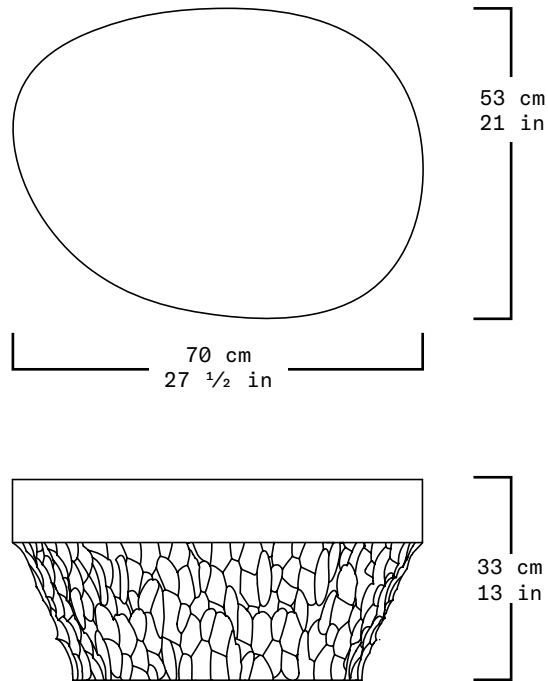


**ALTAR**

Inspired by flat-topped blocks used for religious rituals and ceremonies, especially for sacrifices or offerings to deities. Altar hand carved tables are the synthesis of this expression. The highly detailed artisanal work makes them an eye-catching piece in any environment they are placed.



Collection	S.R.O.
Product	Altar Table #4
Measurements	L70 x W53 x H33 cm L27 1/2 x W21 x H13 in
Weight (Kg)	100
Materials	Jalapa Travertine Marble
Finishes	Matte
Edition	Limited Edition of 10 + 2 AP
Lead Time	16 - 18 weeks