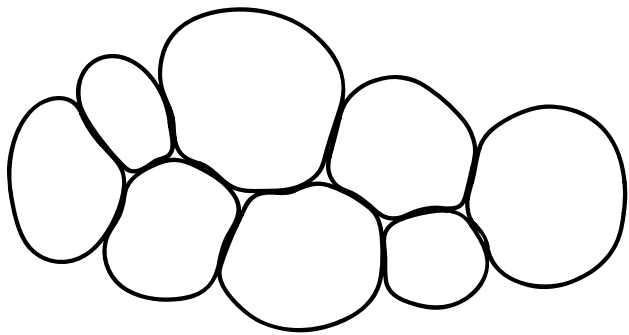


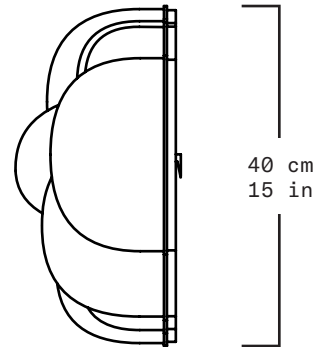
MAGMA

EWE Studio collaborated with Nouvel Studio to produce the Magma light series. The process began with designing molds varying in size and scale, hand carved in volcanic stone where the glass is blown. The artisanal glass blowing process, gives the unique characteristics to each one of the Magma 'bubbles'.

The structure that holds the Magma is made out of cold bluing steel. The interior is a hand hammered brass surface contained within the glass bubbles.



136 cm
53 1/2 in



70 cm
27 1/2 in

40 cm
15 in

Collection	Alquimia
Product	Magma Medium Brown
Measurements	L136 x W70 x H40 cm L53 1/2 x W27 1/2 x H15 in
Weight (Kg)	120
Materials	Brown Blown Glass, Brass, LED Lights
Finishes	Matte Brass
Edition	Limited Edition of 7 + 2 AP
Lead Time	18 - 20 weeks
Illumination	Dimmable LED Strip Light, 2 400K, 24V DC, 16w/m, 1125 lumens/m