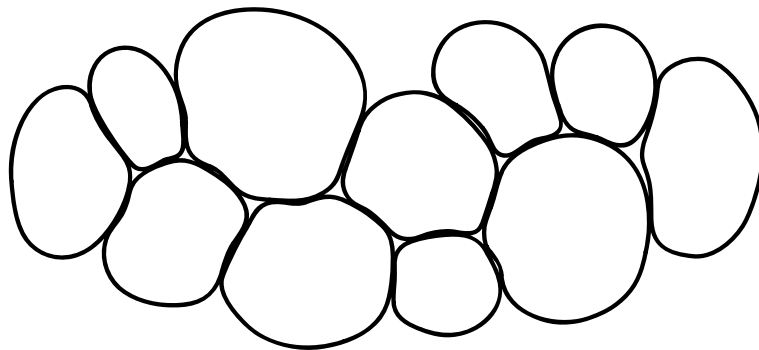


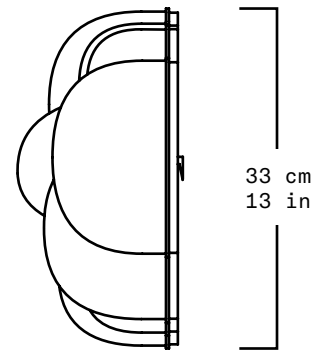
MAGMA

EWE Studio collaborated with Nouvel Studio to produce the Magma light series. The process began with designing molds varying in size and scale, hand carved in volcanic stone where the glass is blown. The artisanal glass blowing process, gives the unique characteristics to each one of the Magma 'bubbles'.

The structure that holds the Magma is made out of cold bluing steel. The interior is a hand hammered brass surface contained within the glass bubbles.



166 cm
65 1/2 in



70 cm
27 3/4 in

33 cm
13 in

| | |
|--------------|--|
| Collection | Alquimia |
| Product | Magma Large Golden |
| Measurements | L166 x W70 x H33 cm L65 1/2 x W27 3/4 x H13 in |
| Weight (Kg) | 150 |
| Materials | Clear Blown Glass, Steel, LED Lights |
| Finishes | Matte Amber Blown Glass, Cold Bluing |
| Edition | Limited Edition of 10 + 1 AP |
| Lead Time | 18 - 20 weeks |
| Illumination | Dimmable LED Strip Light, 2 400K, 24V DC, 16w/m, 1125 lumens/m |