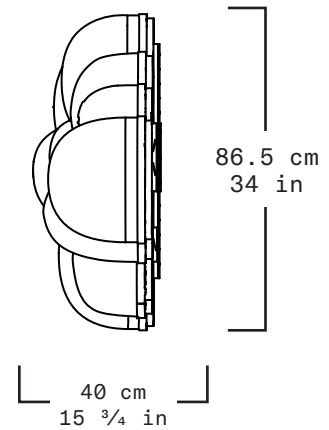
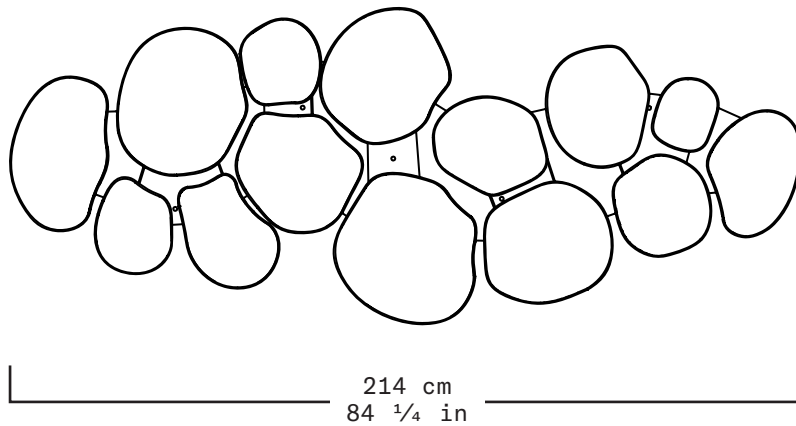


MAGMA

EWE Studio collaborated with Nouvel Studio to produce the Magma light series. The process began with designing molds varying in size and scale, hand carved in volcanic stone where the glass is blown. The artisanal glass blowing process, gives the unique characteristics to each one of the Magma 'bubbles'.

The structure that holds the Magma is made out of cold bluing steel. The interior is a hand hammered brass surface contained within the glass bubbles.



Collection	Alquimia
Product	Magma Extra Large Brown
Measurements	L214 x W86.5 x H40 cm L84 1/4 x W34 x H15 3/4 in
Weight (Kg)	160
Materials	Brown Blown Glass, Brass, LED Lights
Finishes	Matte Brass
Edition	Limited Edition of 10 + 1 AP
Lead Time	20 - 22 weeks
Illumination	Dimmable LED Strip Light, 2 400K, 24V DC, 16w/m, 1125 lumens/m