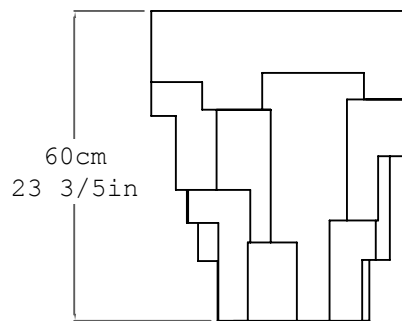
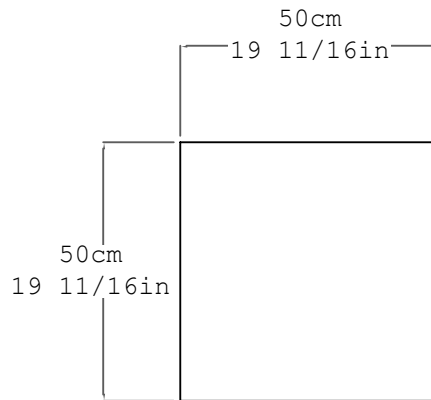




info@ewe-studio.com
www.ewe-studio.com

ALTAR

The meticulous craftsmanship of the Altar collection, in its desire to honor the process and raw materials, is inspired by the flat-surfaced pieces used in pre-Hispanic rituals and ceremonies, especially in sacrifices or offerings to the gods.



Collection	S.R.O
Product	Altar - Table 6
Dimensions	L50 x W50 x H60 cm L19 11/16 x W19 11/16 x H23 3/5 in
Materials	Green Tikal Marble
Weight (Kg)	Approx 250
Finishes	Matte and natural
Edition	Series of unique pieces
Lead Time	12 - 16 weeks