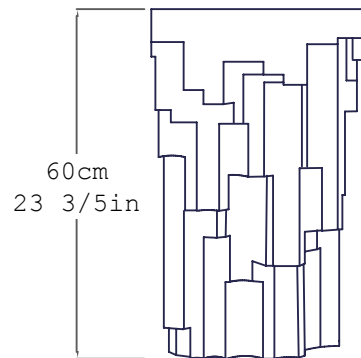
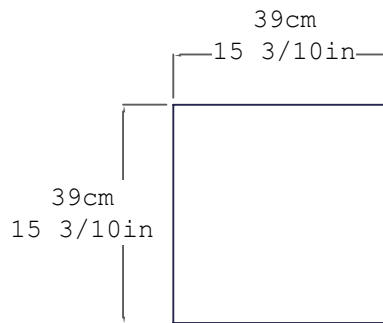




info@ewe-studio.com
www.ewe-studio.com

ALTAR

The meticulous craftsmanship of the Altar collection, in its desire to honor the process and raw materials, is inspired by the flat-surfaced pieces used in pre-Hispanic rituals and ceremonies, especially in sacrifices or offerings to the gods.



| | |
|--------------------|--|
| Collection | S.R.O |
| Product | Altar - Table 5 |
| Dimensions | L39 x W39 x H60 cm L15 3/10 x W15 3/10 x H23 3/5 in |
| Materials | White Bego Marble |
| Weight (Kg) | Approx 200 |
| Finishes | Matte and natural |
| Edition | Series of unique pieces |
| Lead Time | 08 - 10 weeks |