

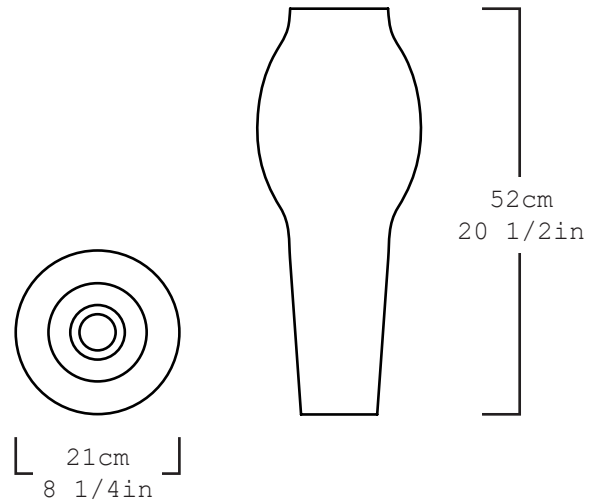
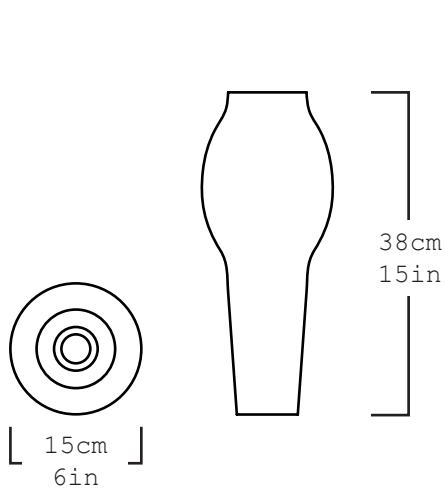


info@ewe-studio.com
www.ewe-studio.com

R I T O

The expressive characteristics of the iconic religious objects, which were used as ceremonial sacred utensils of devotion, were the main source of inspiration for Rito vessels.

Each object was carefully hand carved by master stonemasons in a technique that has been practiced for centuries.



Collection	S.R.O
Product	Rito - Vessel 1 (Small)
Dimensions	L15 x W15 x H38 cm L6 x W6 x H15 in
Materials	Black Marble White Marble Obsidian
Weight (Kg)	Approx 8.5
Finishes	Matte
Edition	Limited Edition of 15 + 1AP
Lead Time	8 - 10 weeks

Collection	S.R.O
Product	Rito - Vessel 1 (Large)
Dimensions	L21 x W21 x H52 cm L8 1/4 x W8 1/4 x H20 1/2 in
Materials	Black Marble White Marble Obsidian
Weight (Kg)	Approx 30
Finishes	Matte
Edition	Limited Edition of 15 + 1AP
Lead Time	8 - 10 weeks