



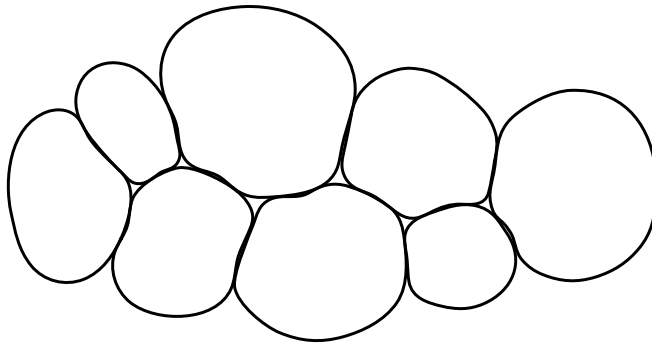
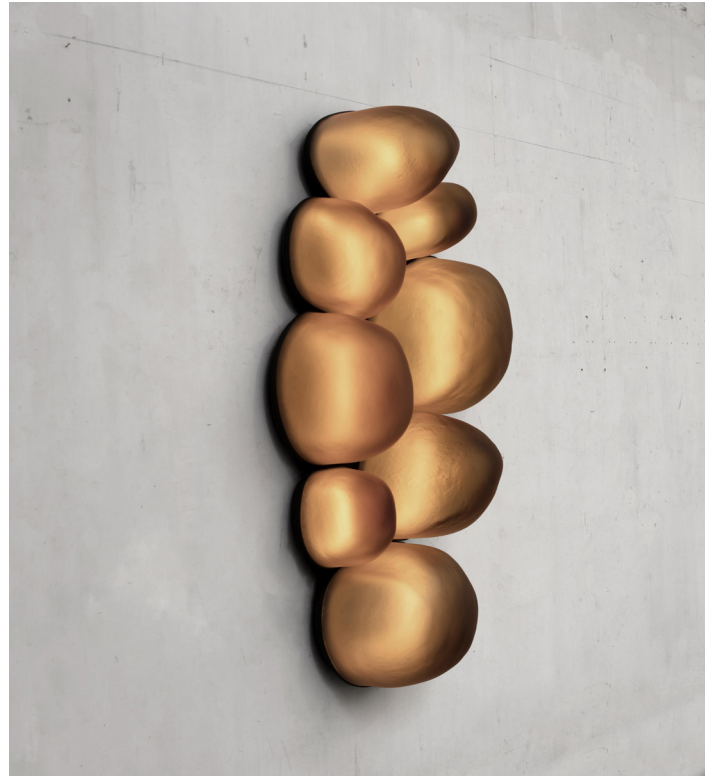
info@ewe-studio.com
www.ewe-studio.com

MAGMA LIGHTING FIXTURE

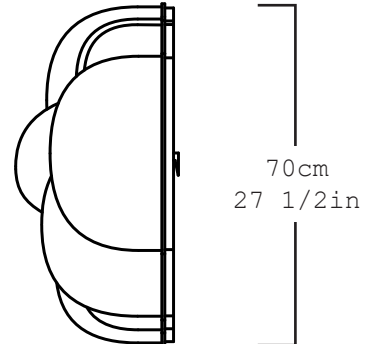
EWE Studio collaborated with Nouvel Limited to produce the special golden edition of Magma lighting sculptures for Curio/Design Miami, Basel. The process began with creating molds varying in size and scale, hand carved in volcanic stone by local stonemasons.

The volcanic stone was chosen for the molds as it is not affected by the heat of the blown glass, due to its origin. Being an artisanal process, the shape, thickness and tonality differs, as a result giving unique characteristics to each one of the Magma 'bubbles'.

The ethereal golden light is generated through acid finish that was applied on the amber glass surface, together with the hand hammered brass surface contained within the bubbles.



136cm
53 1/2in



40cm
15in

70cm
27 1/2in

Collection	Alquimia
Product	Golden Magma Medium Lighting Fixture
Dimensions	L136 x W70 x D40 cm L53 1/2 x W27 1/2 x D15 in
Weight (Kg)	Approx. 100Kg
Materials	Amber Blown Glass, Steel, Hammered Brass
Finishes	Matte Glass Acid finish, Cold Bluing Steel, Matte Brass
Edition	Limited Edition of 07 + 2AP
Lead Time	12 - 14 weeks
Illumination	Dimmable LED Strip Light, 2 400K, 24V DC, 16w/m, 1125 lumens/m