



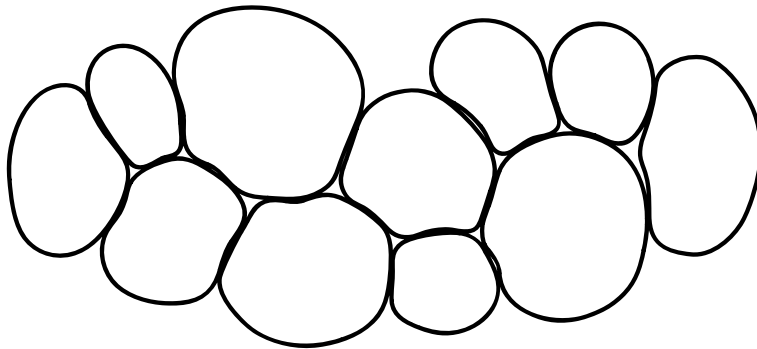
info@ewe-studio.com
www.ewe-studio.com

MAGMA LIGHTING FIXTURE

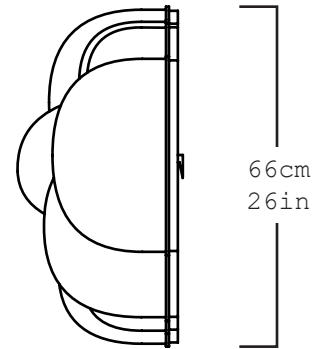
EWE Studio collaborated with Nouvel Limited to produce the special golden edition of Magma lighting sculptures for Curio/Design Miami, Basel. The process began with creating molds varying in size and scale, hand carved in volcanic stone by local stonemasons.

The volcanic stone was chosen for the molds as it is not affected by the heat of the blown glass, due to its origin. Being an artisanal process, the shape, thickness and tonality differs, as a result giving unique characteristics to each one of the Magma 'bubbles'.

The ethereal golden light is generated through acid finish that was applied on the amber glass surface, together with the hand hammered brass surface contained within the bubbles.



160cm
63in



33cm
13in

66cm
26in

Collection	Alquimia
Product	Golden Magma Large Lighting Fixture
Dimensions	L160 x W66 x H33 cm L63 x W26 x H13 in
Weight (Kg)	Approx. 130Kg
Materials	Amber Blown Glass, Steel, Hammered Brass
Finishes	Matte Glass Acid finish, Cold Bluing Steel, Matte Brass
Edition	Limited Edition of 07 + 2 AP
Lead Time	12 - 14 weeks
Illumination	Dimmable LED Strip Light, 2 400K, 24V DC, 16w/m, 1125 lumens/m