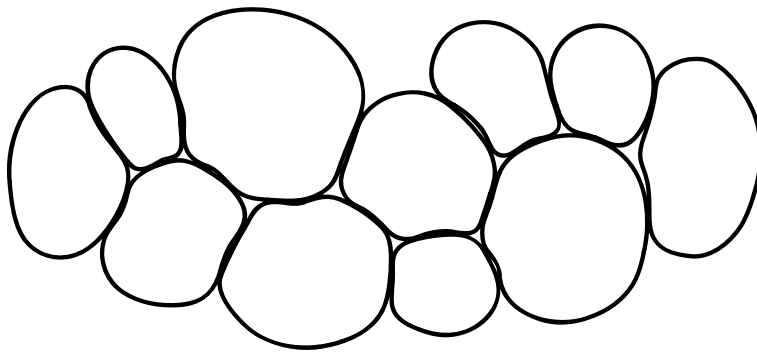


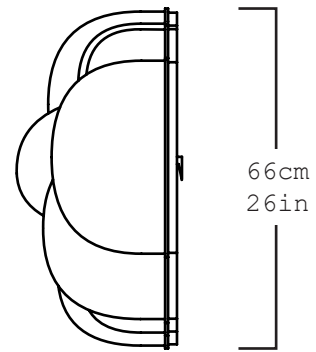
MAGMA LIGHTING FIXTURE

EWE Studio collaborated with Nouvel Studio to produce the *Magma light* series. The process began with designing molds varying in size and scale, hand carved in volcanic stone where the glass is blown. The artisanal glass blowing process, gives the unique characteristics to each one of the Magma 'bubbles'.

The structure that holds the lamp is made out of cold bluing steel. The interior is a hand hammered brass surface contained within the glass bubbles.



160cm
63in



33cm
13in

66cm
26in

Collection	Alquimia
Product	Magma Wall Lighting Fixture
Dimensions	L160 x W66 x H33 cm L63 x W26 x H13 in
Weight (Kg)	Approx. 100
Materials	Blown Glass, Steel, Hammered Brass
Finishes	Cold Bluing
Edition	Limited Edition of 10 + 1AP
Lead Time	12 - 14 weeks
Illumination	Dimmable LED Strip Light, 2 400K, 24V DC, 16w/m, 1125 lumens/m