



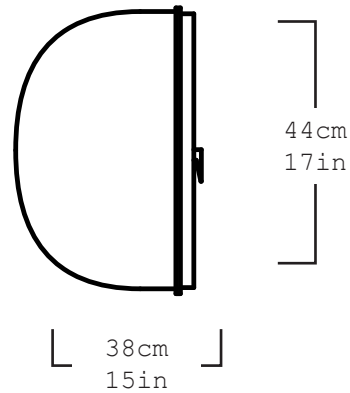
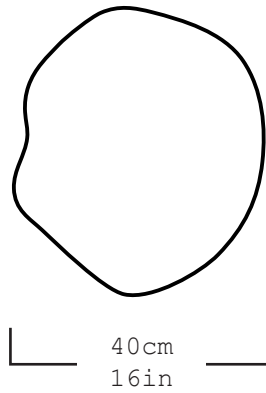
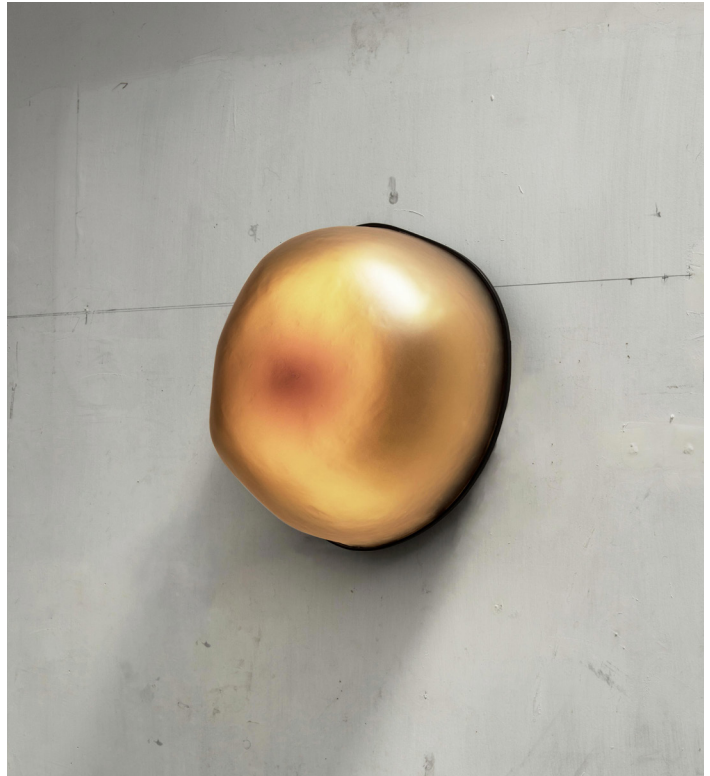
info@ewe-studio.com
www.ewe-studio.com

MAGMA LIGHTING FIXTURE

EWE Studio collaborated with Nouvel Limited to produce the special golden edition of Magma lighting sculptures for Curio/Design Miami, Basel. The process began with creating molds varying in size and scale, hand carved in volcanic stone by local stonemasons.

The volcanic stone was chosen for the molds as it is not affected by the heat of the blown glass, due to its origin. Being an artisanal process, the shape, thickness and tonality differs, as a result giving unique characteristics to each one of the Magma 'bubbles'.

The ethereal golden light is generated through acid finish that was applied on the amber glass surface, together with the hand hammered brass surface contained within the bubbles.



| | |
|---------------------|--|
| Collection | Alquímia |
| Product | Golden Magma Individual Lighting Fixture |
| Dimensions | L40 x W38 x H44 cm L16 x W15 x H17 in |
| Weight (Kg) | Approx. 20Kg |
| Materials | Amber Blown Glass, Steel, Hammered Brass |
| Finishes | Matte Glass Acid finish, Cold Bluing Steel, Matte Brass |
| Edition | Limited Edition of 07 + 2AP |
| Lead Time | 12 - 14 weeks |
| Illumination | Dimmable LED Strip Light, 2 400K, 24V DC, 16w/m, 1125 lumens/m |