

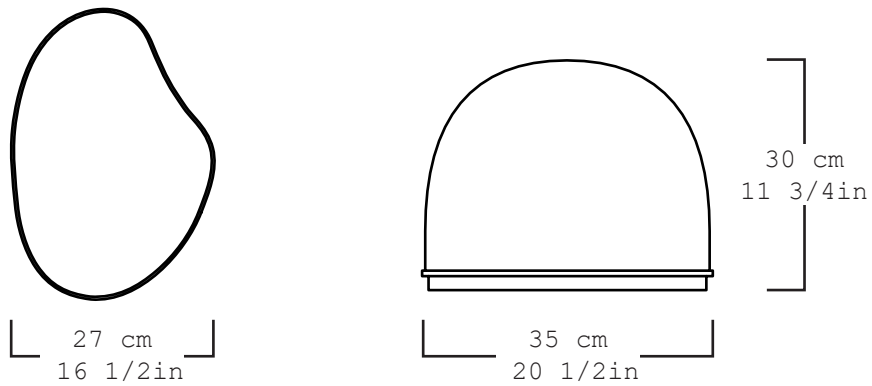


info@ewe-studio.com
www.ewe-studio.com

MAGMA LIGHTING FIXTURE

EWE Studio collaborated with Nouvel Studio to produce the *Magma light* series. The process began with designing molds varying in size and scale, hand carved in volcanic stone where the glass is blown. The artisanal glass blowing process, gives the unique characteristics to each one of the Magma 'bubbles'.

The structure that holds the lamp is made out of cold bluing steel. The interior is a hand hammered brass surface contained within the glass bubbles.



Collection	Alquimia
Product	Magma Individual Lighting Fixture
Dimensions	L35 x W27 x H30 cm L20 1/2 x W16 1/2 x H11 in
Weight (Kg)	Approx. 12
Materials	Blown Glass, Steel, Hammered Brass
Finishes	Cold Bluing
Edition	Limited Edition of 10 + 1AP
Lead Time	12 - 14 weeks
Illumination	Dimmable LED Strip Light, 2 400K, 24V DC, 16w/m, 1125 lumens/m