

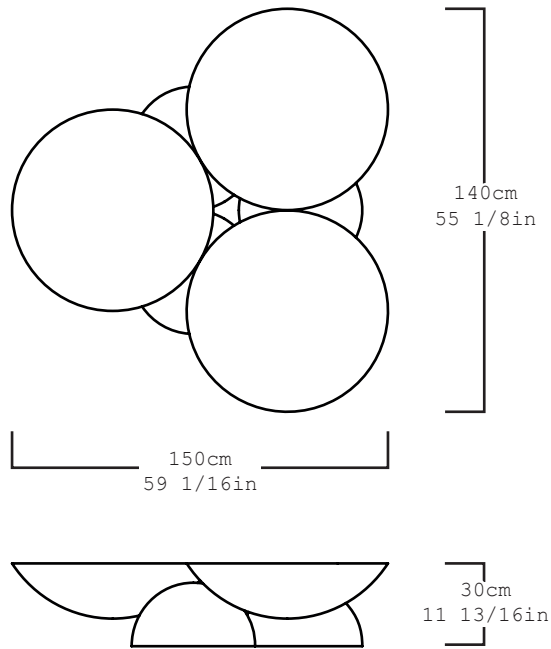


info@ewe-studio.com  
www.ewe-studio.com

### COPAL TABLE

The coffee table of EWE Studio is made out six half spheres, three smaller half and three large half spheres, that are assembled together. The table is carved out of Tikal green marble by our stonemasons.

The technical complexity of the work is related to its stability, as the upper big spheres are seemingly hovering in the air, resulting in a magnificent visual tension that defies gravity on its cantilever.



<b>Collection</b>	Sincretismo
<b>Product</b>	Copal Coffee Table
<b>Dimensions</b>	L150 x W140 x H30 cm L59 1/16 x W55 1/8 x H11 13/16 in
<b>Material</b>	Tikal Green Marble
<b>Weight (Kg)</b>	800 kg
<b>Finishes</b>	Matte
<b>Edition</b>	Limited Edition of 10 + 2 AP
<b>Lead Time</b>	12 - 14 weeks