



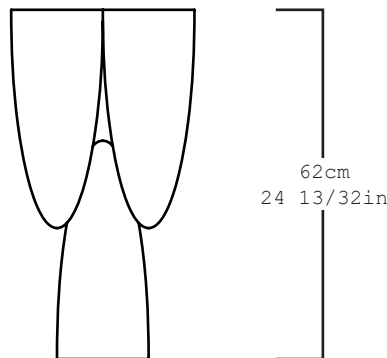
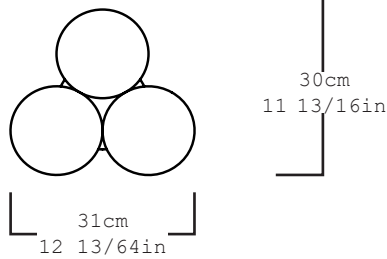
info@ewe-studio.com
www.ewe-studio.com

COPAL SIDE TABLE

The EWE Studio *Copal side tables* are composed by four identical pieces linked together with hidden locks, making the observer feel like three out of the four parts of the table are just touching and hovering in the air.

Our stonemason and wood carvers used obsidiana, Tikal green marble, volcanic stone and wood, while creating the pieces.

The artisans understand the nature of the materials, working to bring out their unique characteristics and particular properties.



Collection	Sincretismo
Product	Copal Side Table
Dimensions	L31 x W30 x H62 cm L12 13/64 x W11 13/16 x H24 13/32 in
Material	Volcanic Stone
Weight (Kg)	50
Finishes	Matte
Edition	Limited Edition of 10 + 2 AP
Lead Time	12 - 14 weeks