



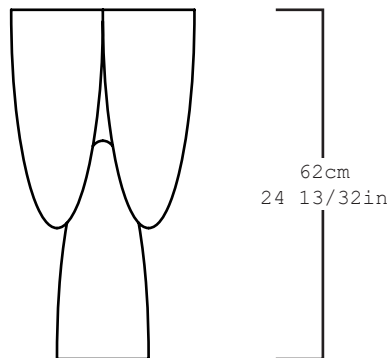
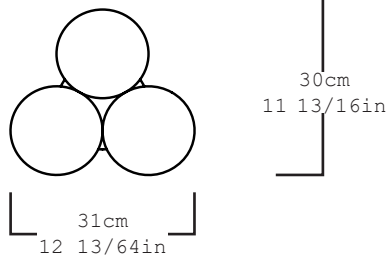
info@ewe-studio.com  
www.ewe-studio.com

### COPAL SIDE TABLE

The EWE Studio *Copal side tables* are composed by four identical pieces linked together with hidden locks, making the observer feel like three out of the four parts of the table are just touching and hovering in the air.

Our stonemason and wood carvers used obsidiana, Tikal green marble, volcanic stone and wood, while creating the pieces.

The artisans understand the nature of the materials, working to bring out their unique characteristics and particular properties.



<b>Collection</b>	Sincretismo
<b>Product</b>	Copal Side Table
<b>Dimensions</b>	L31 x W30 x H62 cm L12 13/64 x W11 13/16 x H24 13/32 in
<b>Material</b>	Tikal Green Marble
<b>Weight (Kg)</b>	56
<b>Finishes</b>	Matte
<b>Edition</b>	Limited Edition of 10 + 2 AP
<b>Lead Time</b>	12 - 14 weeks