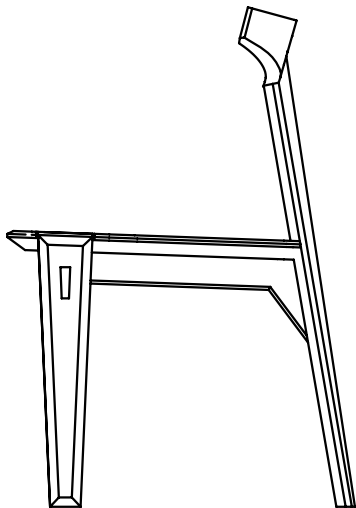




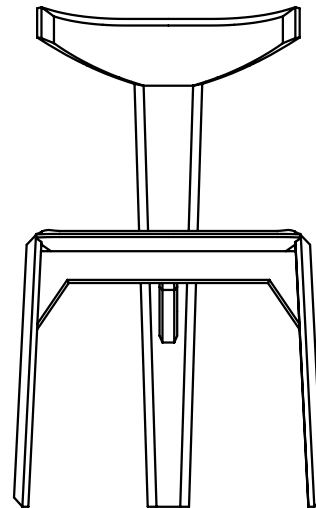
info@ewe-studio.com
www.ewe-studio.com

CENIZA

Carved by hand and assembled by a master cabinetmaker, the *Ceniza Chair* consists of three legs, a leather seat and an iconic backrest. Its wooden black leather upholstered seat is attached to the three legs using an ancient technique called *Espiga Vista*, which allows the joints to resist the heat of fire. Once assembled, the chair is burnt to eliminate all moisture and to seal the white oak wood, a process that gives the tonality and final texture to the piece.



57cm
22 1/2in



52cm
20 1/2in

80cm
31 1/2in

Collection	Alquimia
Product	Ceniza Chair
Dimensions	L57 x W52 x H80 cm L22 1/2 x W20 1/2 x H31 1/2 in
Weight (Kg)	8
Materials	White Oak, Black Leather
Finishes	Burnt Wood
Edition	Open
Lead Time	12 - 14 weeks