

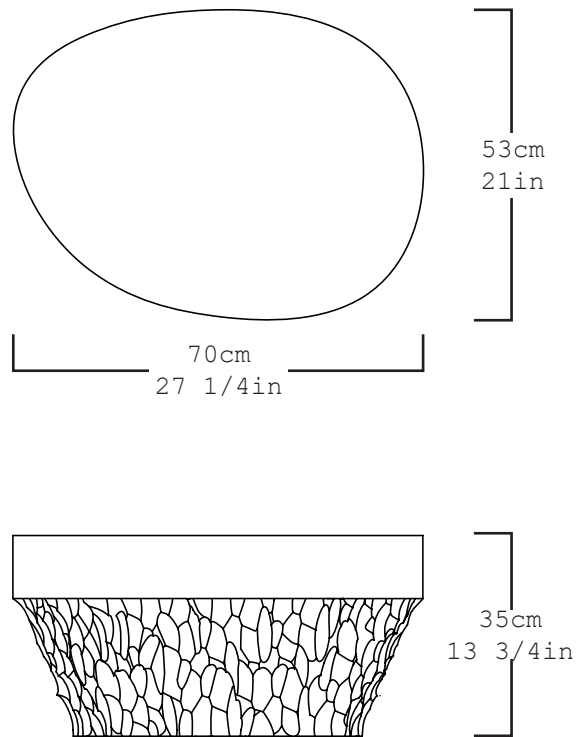


info@ewe-studio.com
www.ewe-studio.com

ALTAR

Inspired by flat-topped blocks used for religious rituals and ceremonies, especially for sacrifices or offerings to deities.

Altar hand carved tables are the synthesis of this expression. The highly detailed artisanal work makes them an eye-catching piece in any environment they are placed.



Collection	S.R.O
Product	Altar - Table 4
Dimensions	L70 x W53 x H35 cm L20 1/4 x W21 x H13 3/4 in
Materials	Jalapa Tavertine Marble
Weight (Kg)	Approx 100
Finishes	Matte
Edition	Limited Edition of 10 + 2AP
Lead Time	12 - 14 weeks